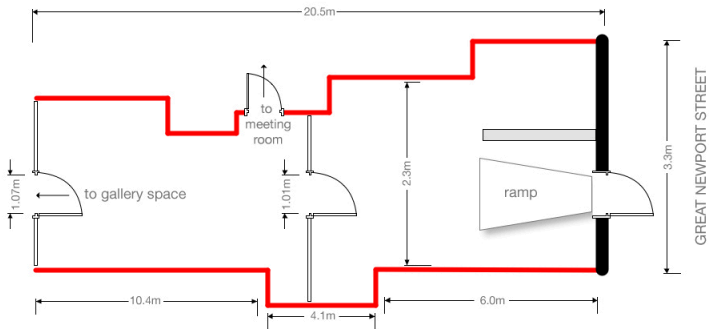
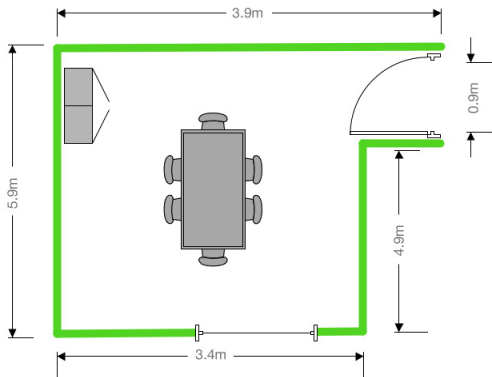


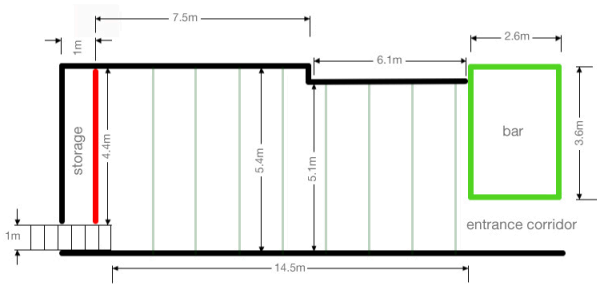
the future gallery - entrance hall



the future gallery - meeting room



the future gallery - main space



 = ceiling fins - 1.8m apart and 4m from floor

 = bar area - ceiling is 2m high